

BENJAMIN®

EXPLODED VIEW & PARTS LIST

MARAUDER

Pre-Charged Pneumatic Airgun
(S-Synthetic Stock/W-Woodstock)

BP1764S – .177 caliber Pellet Air Rifle

BP1764W – .177 caliber Pellet Air Rifle

BP2264S – .22 caliber Pellet Air Rifle

BP2264W – .22 caliber Pellet Air Rifle

Manufacture Start Date: S Models - 11/03/13

Last Update: 03/25/2014

CROSMAN CORPORATION
7629 ROUTES 5 & 20
BLOOMFIELD, NY 14469
Phone: 1-800-724-7486
Parts Order Fax: 585-657-5405

www.crosman.com

- This EVP and parts list is intended to be an informational guide in ordering parts. It is not instructional material and we therefore assume no responsibility for those who use the same without proper factory training.
- Please order by part number and description.
- Check or money order for the total price must accompany the order.
- For current prices contact Crosman Corporation at 1-800-724-7486 or visit our website www.crosman.com

MARAUDER II .177, BP1764S & BP1764W PARTS LIST

ITEM NO.	PART NUMBER	DESCRIPTION	QTY.	
1	1764-001	TUBE, RESERVOIR	1	
2	1764-100	VALVE ASSEMBLY	1	
3	1763-104	GAUGE PORT ASSY	1	
4	1764-064	DAMPENER, RESONANCE	1	
5	1763-101	FILL ADAPTER ASSEMBLY	1	
6	1763-011	CAP, FILL NIPPLE	1	
1	7	1763-017	BARREL, .177 CAL, 20"	1
8	1763-020	SPACER, BARREL SHROUD	1	
9	JTX-080	O-RING, 2-113	1	
10	1763-023	SET SCREW, 8-32 x .25 FLTPT	2	
11	2563-008	BARREL BAND	1	
12	2563-061	O-RING, #2-022	1	
13	1764-010	CAP, SHROUD	1	
14	397-036	O-RING, #2-016, BUNA N	2	
15	1764-060	BAFFLE	7	
16	1764-068	SPRING, BAFFLE	1	
17	1763-005	SHROUD, BARREL	1	
18	88-089	SET SCREW 8-32 x 125 CUP HEX HD	1	
19	1763-013	MOUNT, SHROUD	1	
20	190B-008	O-RING	1	
21	1763-021	SET SCREW, 8-32 x .375 FLTPT	2	
22	1763-027	SCREW, 4-40 x 1.25 SHCS	4	
23	1763-106	PLUNGER ASSEMBLY	1	
1	24	1764-004	BREECH	1
25	1700-018	STUD, BOLT	2	
1	26	1764-102	BOLT ASSY, .177 CAL	1
27	CH2009-023	PIN, ACETAL	1	
28	1764-009	SPRING, HAMMER	1	
29	1764-008	PLATE, BOLT INDEXING	1	
30	1700-020	SCREW, 3-48 x .188 PPH	1	
31	1763-014	SLEEVE, TRANSFER PORT	1	
32	130-036	BREECH GASKET	2	
1	33	1763-058	O-RING, 1.5mm x 4mm, BUNA N	1
34	1763-019	SCREW, 10-32 X .25, SHCS	3	
35	1761A023	O-Ring, #2-009	1	
36	1764-017	ADAPTER, GAUGE	1	
37	1763-033	GAUGE, 3000 PSI	1	
38	1764-105	TRIGGER ASSY	1	
39	1763-035	SCREW, 8-32 x .437 BHCS	3	
40	1763A036	STRIKER	1	
41	1763A015	HAMMER	1	
42	1764-012	CAP, PRESSURE TUBE	1	
43	1763-038	GUIDE, HAMMER SPRING	1	
44	1764-029	SCREW, 1/4-20 x .875 BHCS	1	
1	45	1764-108	STOCK, MARAUDER, SYNTHETIC	1

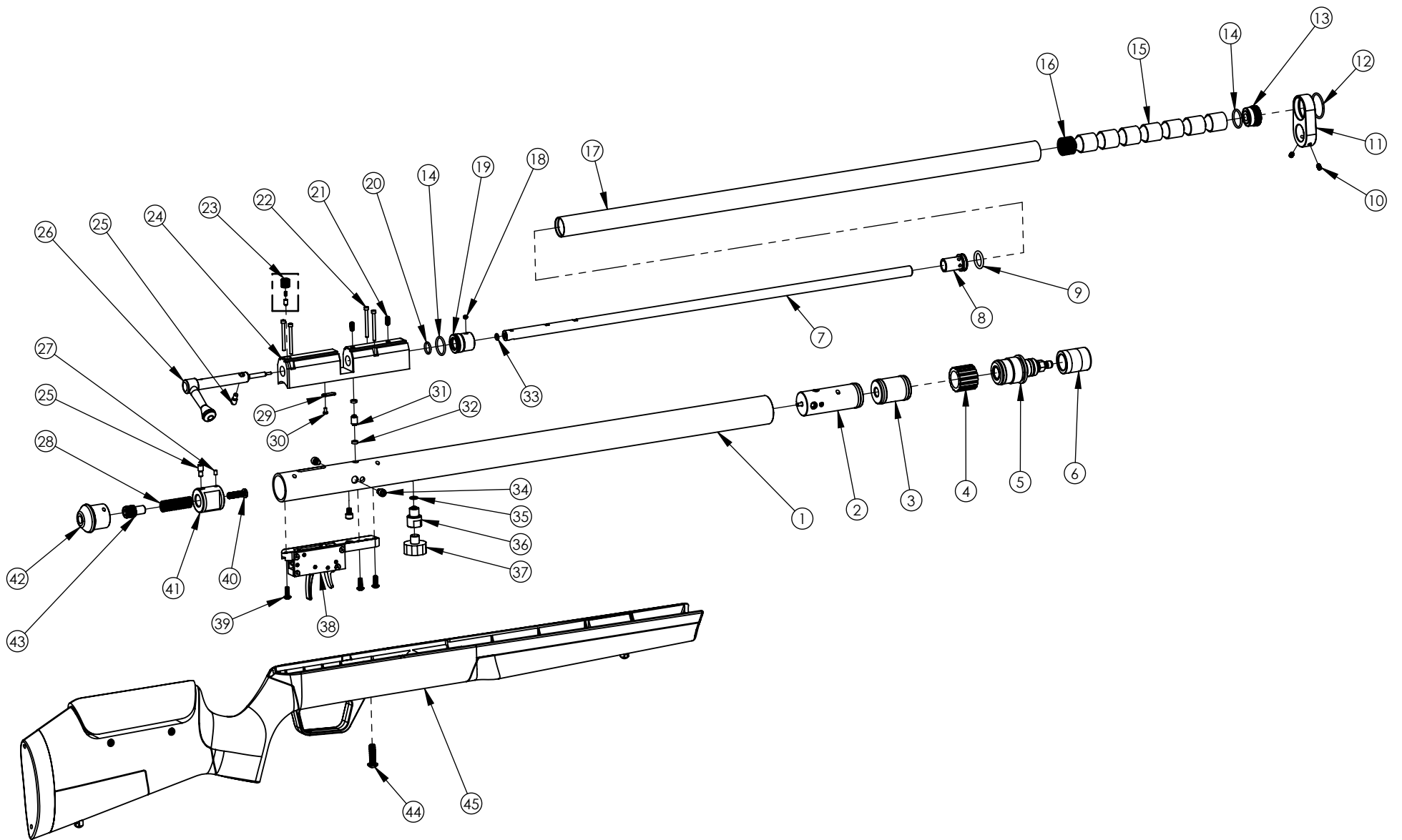
MARAUDER II .22 CAL, BP2264S & BP2264W UNIQUE PARTS LIST

ITEM NO.	PART NUMBER	DESCRIPTION	QTY.
24	2264-004	BREECH, .22 CAL	1
26	2264-102	BOLT ASSY, .22 CAL	1
33	1761A023	O-RING, #2-009	1
7	2264-001	BARREL, .22 CAL, 20"	1

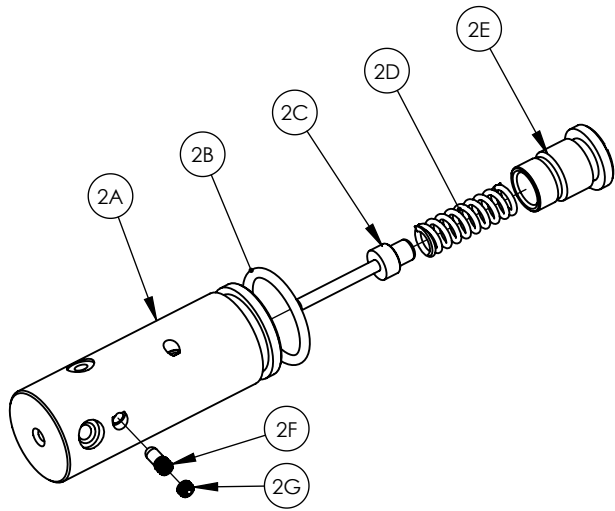
MARAUDER II BP1764W AND BP2264W UNIQUE PARTS LIST

ITEM NO.	PART NUMBER	DESCRIPTION	QTY.
45	1764-103	STOCK, MARAUDER, WOOD	1

1 SEE UNIQUE PARTS LISTS FOR ALTERNATE CALIBER/MODEL SPECIFIC COMPONENTS WHERE APPROPRIATE

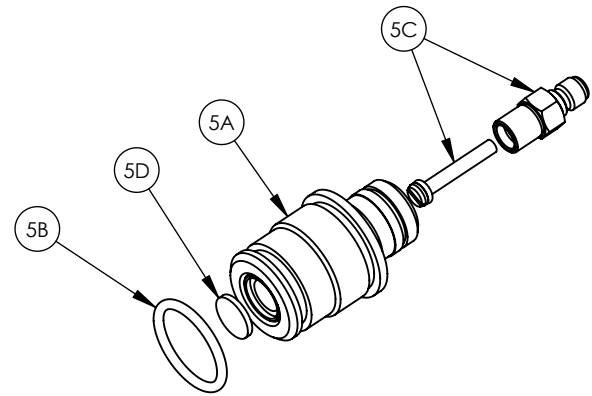


**MARAUDER II .177 AND .22 CALIBER RIFLES
MODELS BP1764S, BP1764W, BP2264S, BP2264W**



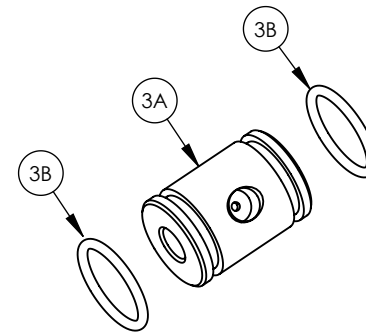
ITEM 2, VALVE ASSEMBLY

ITEM NO.	PART NUMBER	DESCRIPTION	QTY.
2A	1764-002	VALVE BODY	1
2B	1763-026	O-RING, AS568B-118	1
2C	1700-140	VALVE STEM, OVERMOLDED	1
2D	1764-034	SPRING, VALVE	1
2E	1764-003	VALVE CAP	1
2F	1763A028	SCREW, VELOCITY ADJUSTMENT	1
2G	1763-059	SET SCREW, 8-32 x 125, BRASS	1



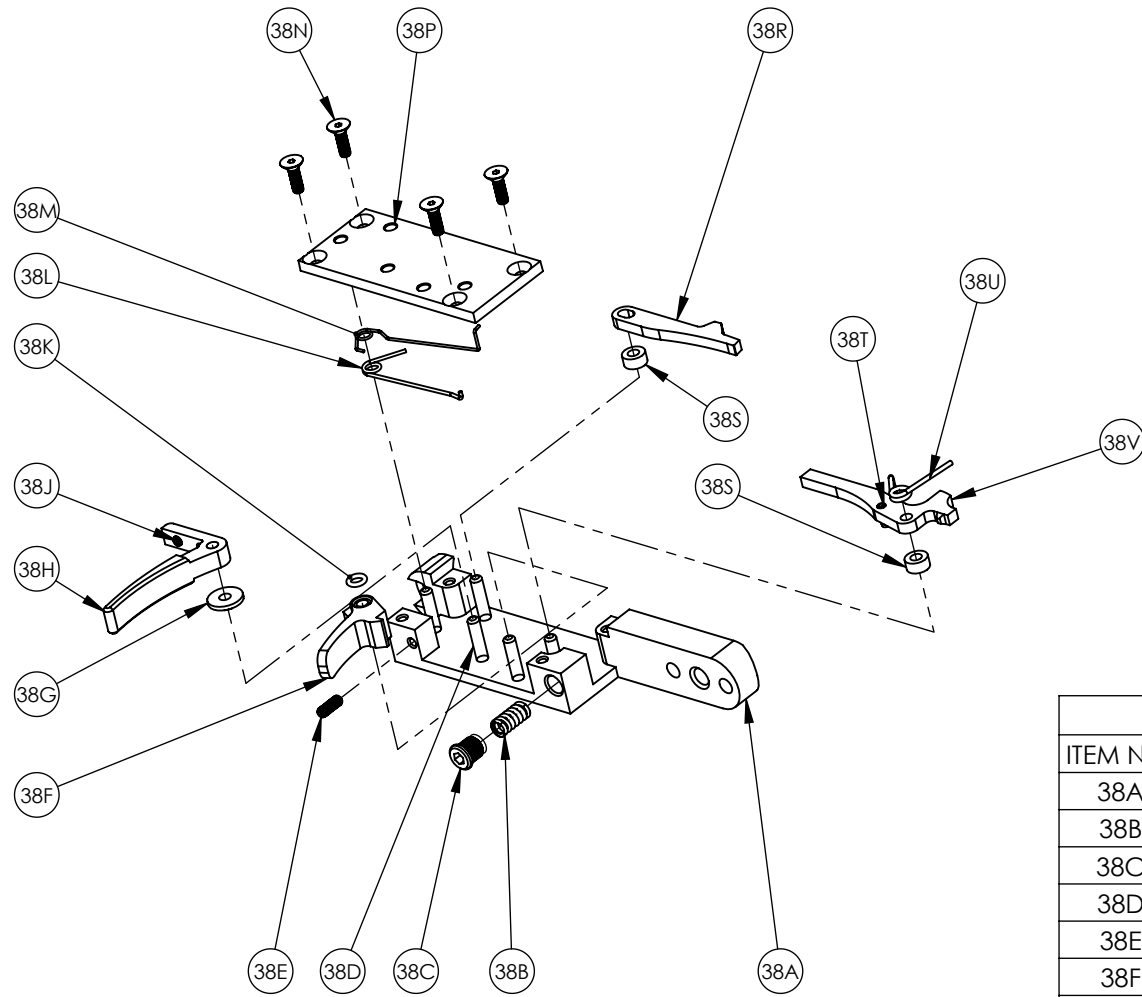
ITEM 5, FILL ADAPTER

ITEM NO.	PART NUMBER	DESCRIPTION	QTY.
5A	1763-018	HOUSING, FILL ADAPTER	1
5B	1763-026	O-RING, AS568B-118	1
5C	1761-106	NIPPLE, ADAPTER	1
5D	NS1200-047	SINTERED FILTER	1



ITEM 3, GAUGE PORT

ITEM NO.	PART NUMBER	DESCRIPTION	QTY.
3A	1763-016	PORT, GAUGE	1
3B	1763-026	O-RING, AS568B-118	2



ITEM 38, TRIGGER ASSEMBLY

ITEM NO.	PART NUMBER	DESCRIPTION	QTY.
38A	1764-040	CASING, TRIGGER	1
38B	1763-050	SPRING, TRIGGER LINK	1
38C	1763A053	SCREW, 1/4-28 x .215, SOCKET HEAD	1
38D	10804	PIN, DOWEL, .125 x .625	5
38E	1763-055	SET SCREW, 4-40 x .312, OV PT	1
38F	1764-043	LEVER, SAFETY	1
38G	1763-049	SPACER, DELRIN, .375x.126x.086	1
38H	1763-042	TRIGGER	1
38J	1763-054	SET SCREW, 4-40 x .188, OV PT	2
38K	397-062	SEAL, .177 BREECH O-RING	1
38L	1763-051	SPRING, SAFETY	1
38M	1763-052	SPRING, SEAR	1
38N	1763-056	SCREW, 4-40 x .375, FHCS	4
38P	1764-041	COVER, TRIGGER CASING	1
38R	1764-045	SEAR	1
38S	1763-048	SPACER, DELRIN, .25x.126x.123	2
38T	1763-057	ROLL PIN, .094 x .250	1
38U	1763-065	SPRING, TORSION, LINK	1
38V	1763B044	LINK, TRIGGER	1